



BOLTING SOLUTION COMPANY

# CORNER NUT RUNNER

## ELECTRIC NUT RUNNER GNBC Series

**Short Nose!  
High Power  
up to 2100N·m 1550lbf·ft!**



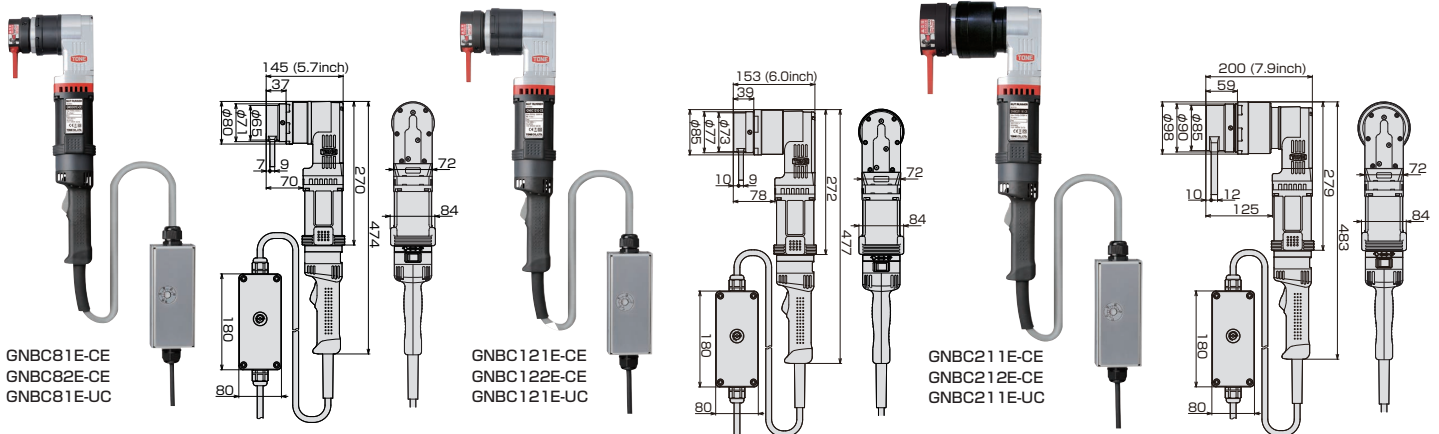
See the demonstration movie at:  
<https://youtu.be/H193xh3o6y8>

TONE CO., LTD.

# Compact + Powerful Corner NUT RUNNER

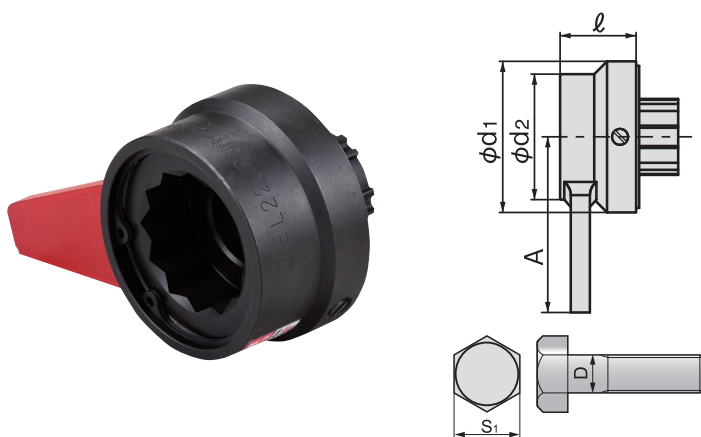
- The shortest nose and compact socket with an integrated reaction arm accessible to bolts at narrow space
- Easily set your target torque, Easy switch Forward-Reverse directions
- Ergonomic design, lower sound level and double insulated protection motor

## CORNER NUT RUNNER



Model	GNBC81E-CE	GNBC82E-CE	GNBC81E-UC	GNBC121E-CE	GNBC122E-CE	GNBC121E-UC	GNBC211E-CE	GNBC212E-CE	GNBC211E-UC
Frequency	50-60Hz			50-60Hz			50-60Hz		
Rated Voltage(Single Phase)	110-120V	220-230V	110-120V	110-120V	220-230V	110-120V	110-120V	220-230V	110-120V
Max.Current	14A	7A	14A	14A	7A	14A	14A	7A	14A
Rated Input Power	1550W(2s/3s)		1550W	1550W(2s/3s)		1550W	1550W(2s/3s)		1550W
Rated Max. Torque	800N·m		600lbf·ft	1200N·m		900lbf·ft	2100N·m		1550lbf·ft
Repeated Accuracy	±5%			±5%			±5%		
Controllable Torque Range	350~800N·m		250~600lbf·ft	500~1200N·m		370~900lbf·ft	1000~2100N·m		750~1550lbf·ft
No-Load Speed	17min <sup>-1</sup> (rpm)			11min <sup>-1</sup> (rpm)			6min <sup>-1</sup> (rpm)		
Noise & Vibration Level	Sound Pressure Level 86dB(A) Sound Power Level 97dB(A) Vibration Level Less than 2.5m/s <sup>2</sup>			Sound Pressure Level 86dB(A) Sound Power Level 97dB(A) Vibration Level Less than 2.5m/s <sup>2</sup>			Sound Pressure Level 86dB(A) Sound Power Level 97dB(A) Vibration Level Less than 2.5m/s <sup>2</sup>		
Weight(Main Body)	5.3kg		11.7lbs	5.8kg		12.8lbs	7.3kg		16.1lbs
Protection Class	□(class II tool)			□(class II tool)			□(class II tool)		

## BAR SOCKET



Bar Socket Code No.	Bolt Size		Bolt Across Flat S1		Bar Socket			
	φD		(mm)	(inch)	φd1	φd2	A	ℓ
for GNBC81E-CE,GNBC82E-CE,GNBC81E-UC								
22UR27T	M16	5/8"	27	1-1/16"	71	59	82.5	36
22UR32T	M20	3/4"	32	1-1/4"	71	59	82.5	36
22UR36T	M22		36		71	65	82.5	39
22URB46T		7/8"		1-7/16"	71	65	82.5	39
for GNBC121E-CE,GNBC122E-CE,GNBC121E-UC								
24UR32T	M20	3/4"	32	1-1/4"	77	65	82.5	41
24UR36T	M22		36		77	73	82.5	41
24URB46T		7/8"		1-7/16"	77	73	82.5	41
24UR41T	M24	1"	41	1-5/8"	77	73	90.0	41
for GNBC211E-CE,GNBC212E-CE,GNBC211E-UC								
30UR41T	M24	1"	41	1-5/8"	88	75	125	42
30UR46T	M27	1-1/8"	46	1-13/16"	88	80	125	45
30UR50T	M30	1-1/4"	50	2"	88	85	125	49

※Make sure Hex Bolt Across Flat size, bolt size and hardness to select right Bar socket.

Manufactured by

**TONE TONE CO., LTD.**  
OSAKA, JAPAN.



ISO 9001:2008 QMS



ISO 14001:2004 EMS

Your Distributor

web site <http://www.tonetool.co.jp>  
e-mail: [overseas@tonetool.co.jp](mailto:overseas@tonetool.co.jp)

Specifications and the design are subject to change without notice.  
TONE is certified to ISO9001:2008 and ISO14001:2004.