



UP
torque
**CONTROL AND
TRACK TORQUE**

SR ELECTRONIC TORQUE WRENCH

SR

ELECTRONIC TORQUE WRENCH

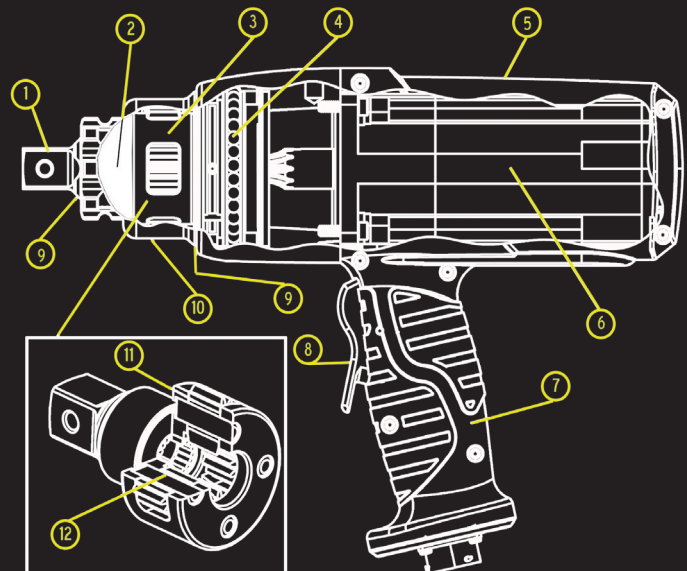
THE WRENCH WITH CONTROL

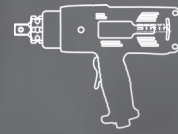
THROUGH THE USE OF INTEGRATED ENCODERS, BOTH TORQUE AND TORQUE-ANGLE CONTROL ARE AVAILABLE AT THE TOUCH OF THE SCREEN. ANGLE CONTROL IS AVAILABLE IN BOTH TIGHTEN AND LOOSEN DIRECTIONS FOR A TOTAL SOLUTION TO YOUR ENGINEERED SPECIFICATIONS. BY UTILIZING THE SAME GEAR TRAIN DESIGN AS OUR LEGENDARY RP SERIES, THE STRYK OUTPERFORMS ALL OTHER METHODS IN LONG-TERM RELIABILITY, AS WELL AS MECHANICAL REPEATABILITY. SIMPLY PUT, THIS IS THE MOST DURABLE ELECTRONIC TORQUE WRENCH SERIES EVER PRODUCED!



THE POWER INSIDE

1. HARDENED ALLOY STEEL FOR DURABILITY AND LONG CYCLE LIFE
2. BEARINGS SUPPORT THE LOADS EXPERIENCED AT THE SQUARE DRIVE
3. MULTI-STAGE PLANETARY GEAR SYSTEM WITH OPTIMIZED TOOTH DESIGN
4. SMOOTH BALL BEARING ROTATION OF THE GEARBOX HOUSING INDEPENDENT FROM THE MOTOR HANDLE
5. HANDLE HOUSING CONSTRUCTED OF DURABLE IMPACT RESISTANT NYLON THAT REMAINS COOL TO THE TOUCH
6. THE ELECTRIC-SERVO MOTOR IS EQUIPPED WITH A PRECISION ANGLE ENCODER AND IS CAPABLE OF OPERATING AT 115V OR 230V
7. ERGONOMIC HANDLE DESIGN OF THE SR SERIES DESIGNED TO ALLOW FOR A FIRM COMFORTABLE GRIP.
8. ONE FINGER TRIGGER CONTROL FOR FORWARD AND REVERSE
9. O-RINGS SEAL GREASE IN WHILE KEEPING WATER AND DIRT OUT
10. ROBUST GEARBOX
11. GEARS RUN ON LOW FRICTION. HIGH STRENGTH BEARING SLEEVES
12. TOOL STEEL PINS IN EACH GEAR STAGE CARRIER





SR-500 SINGLE SPEED
TORQUE RANGE 100-500 FT/LBS
FREE SPEED 2.6-25.8 RPM



SR-1000 SINGLE SPEED
TORQUE RANGE 200-1000 FT/LBS
FREE SPEED 2-10 RPM



SR-2000 SINGLE SPEED
TORQUE RANGE 400-2000 FT/LBS
FREE SPEED 3-6 RPM



SR-3000 SINGLE SPEED
TORQUE RANGE 600-3000 FT/LBS
FREE SPEED 1.4-2.8 RPM

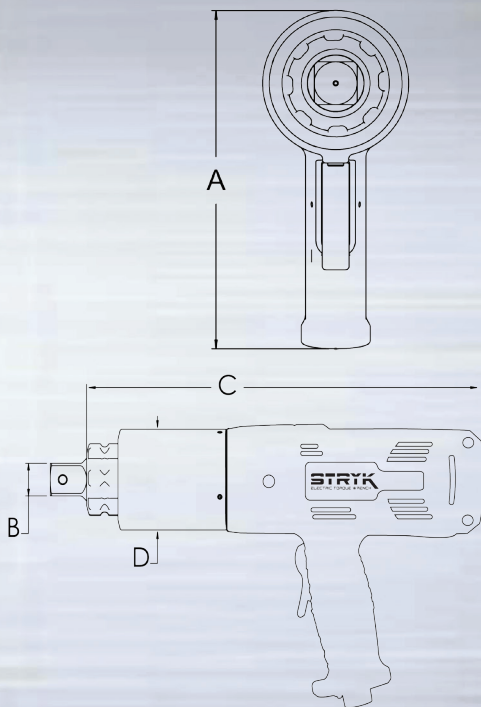


SR-6000 SINGLE SPEED
TORQUE RANGE 1200-6000 FT/LBS
FREE SPEED 1.9 RPM

POWER CORD IS NOT INCLUDED WITH TOOL. ORDER POWER CORD RELATIVE TO YOUR VOLTAGE REQUIREMENTS

WWW.TORCUP.COM

POWER ENGINEERED



MODEL NUMBER	SR-500	SR-1000	SR-2000	SR-3000	SR-6000
SQUARE DRIVE	3/4"	1"	1"	1"	1 1/2"
MIN. TORQUE (ft/lbs)	100	200	400	600	1200
MAX. TORQUE (ft/lbs)	500	1000	2000	3000	6000
MIN. TORQUE (nm)	136	271	542	813	1627
MAX. TORQUE (nm)	678	1356	2712	4067	8135
HEIGHT A (in)	9.29"	9.29"	9.29"	9.31"	9.94"
HEIGHT A (mm)	236.0	236.0	236.0	236.5	252.5
SQUARE DRIVE B (in)	0.75"	1"	1"	1"	1.5"
SQUARE DRIVE B (mm)	19.05	25.4	25.4	25.4	38.1
LENGTH C (in)	11.45"	13.23"	13.94"	16.18"	16.88"
LENGTH C (mm)	290.8	336.0	354.1	411.0	428.8
DIAMETER D (in)	2.56"	2.85"	3.09"	3.75"	5.0"
DIAMETER D (mm)	65.0	72.4	78.5	95.3	127.0
WEIGHT (lbs) w/o arm	10.9	14.0	15.6	22.3	38.3
WEIGHT (kg) w/o arm	4.9	6.4	7.1	10.1	17.4
PERFORMANCE MAX (rpm)	25	10	6	3	2
CONTROL BOX (lbs/kgs)	20.0/9.07				
POWER CABLE (lbs/kgs)	1.65/.75				
DATA CABLE (lbs/kgs)	5.3/2.4				



SR SERIES ELECTRONIC TORQUE WRENCH

ACCURATE - A TRUE TORQUE INSTRUMENT
INDUSTRIAL - BUILT FOR EXTENDED DAILY USE
ACCOUNTABLE - FOR TORQUE / ANGLE / APPLICATION



TOOL HANDLE
NOSE EXTENSION

STRAIGHT
REACTION ARM

LONG EXTENDED
REACTION ARM

SLIDING STRAIGHT
REACTION ARM

STRYK CONTROLLER UNIT

7.5" TFT Graphic Touchscreen

20 foot encoder cable with abrasion resistant braided cable sleeve included. Display Resolution: 640 x 480 Pixels Memory - 306KB of 512KB total

Input Voltage: 100-240 VAC / 50/60 Hz

Dimensions: 12.1" x 14.8" x 9.6"

Weight: 20 lbs / 9.07 kg



CARRYING
CASE



Worldwide Headquarters

1025 Conroy Place

Easton, PA 18040 USA

TOLL FREE: 1 888-TorcUP-1

TELEPHONE: +1 610-250-5800

FAX: +1 610-250-2700

www.torcup.com



Catalog 2017

TorcUP products are subject to continual development and TorcUP reserves the right to make changes to the specifications and design of their products without prior notice. All rights are reserved. Reproduction in whole or in part without permission of TorcUP Inc. is prohibited.